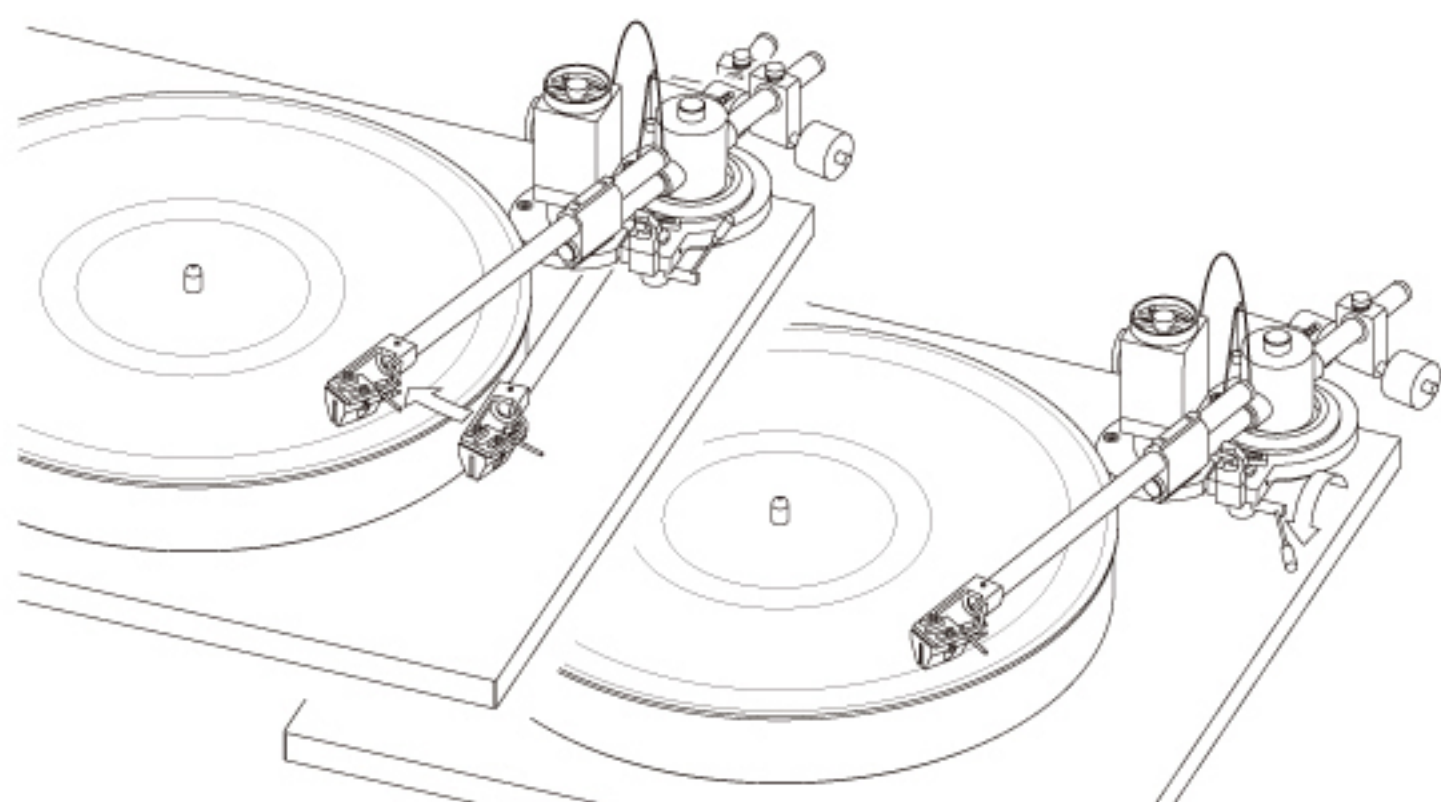


# ST600 Instructions

Lift the arm control lever and release the arm and remove it right onto the record. Place the stylus over the selected band on the record. Then move the control lever forwards, allow it to fall freely, it will play when the stylus touches the record. After playing, raise the control lever to lift the stylus from the record and then return the arm to its rest.



Technical Data	
Model	ST600
Pivot system	Oil damping unipivot dynamic balance system
Effective length (pivot to stylus)	266mm/300 mm (10.5"/12")
Overhang	16mm
Offset	20 degree
Recommend cartridge weight	4-16g
Total weight (without counter weight)	1130g
Main counter weight	50gx2
Incidental counter weight	50g(counter weight balance carrier)
Anti-skating weight	2g
Arm base and headshell	Stainless steel
Arm tube	Carbon fiber

**Note:** Don not uninstall the tone-arm, please contact your dealers for further inspection and fixing.



A-ONE & CONSONANCE

[www.opera-consonance.com](http://www.opera-consonance.com)

Email : [support@opera-consonance.com](mailto:support@opera-consonance.com)



a-one & consonance

# ST600

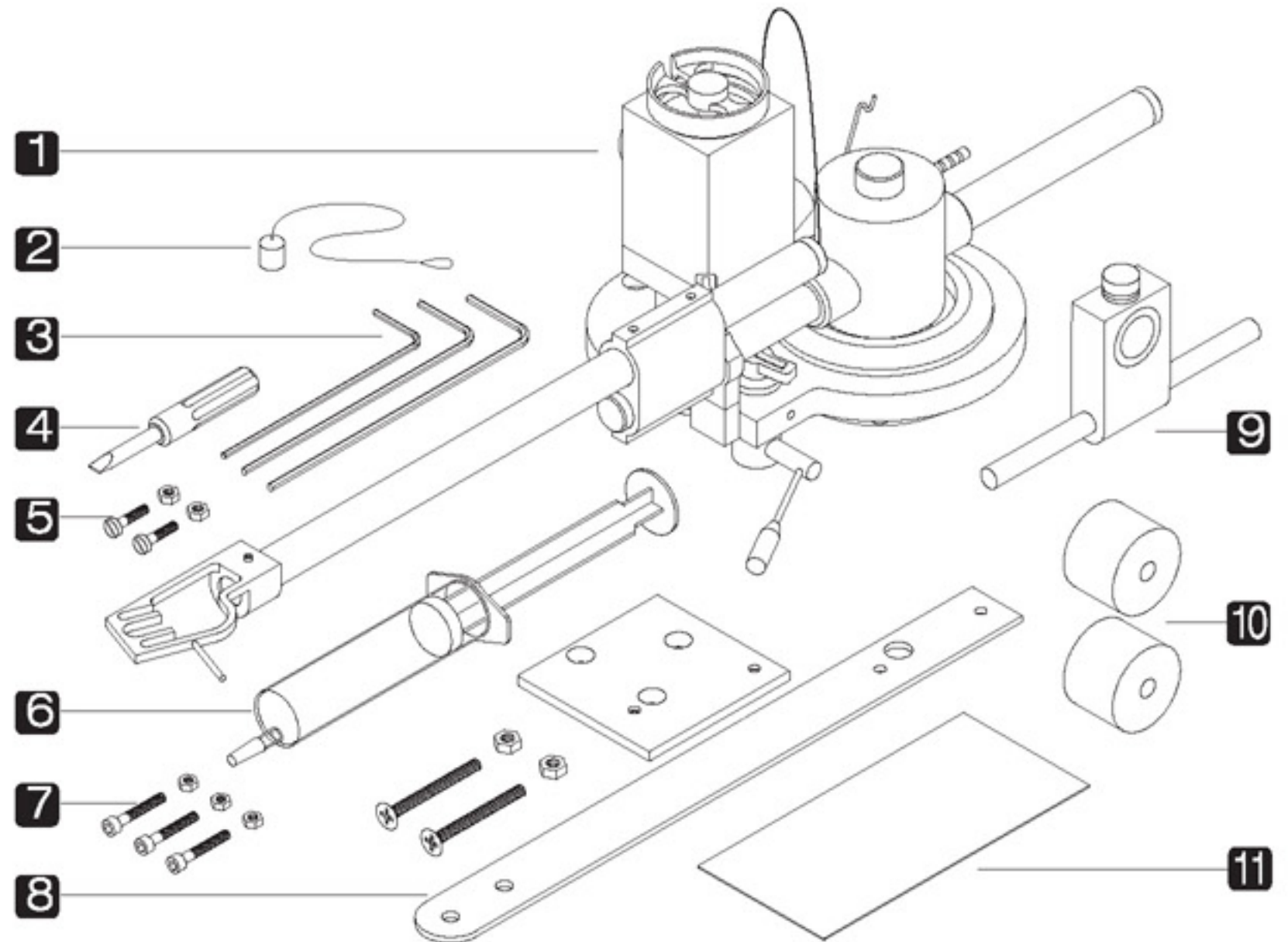
HI-FI TONEARM SERIES

Effective length: 10.5 " — 12 "

# ST600 Components list

Thanks for your choosing A-one & Consonance Hi-Fi Tone-arm Series, all the parts in the pack are list as followings:

- 1 Tone-arm base and arm (x1)
- 2 Anti-skating weight (x1)
- 3 Allen wrenches ( M2x1, M3x1, M4x1)
- 4 Screwdriver for cartridge installation (x1)
- 5 Cartridge screws and nuts (M2 screws x2, M2 nuts x2)
- 6 Syringe for bearing oil with 20ml of damping oil (x1)
- 7 Tone-arm installation machine screws and nuts (M4 screws x3, M4 nuts x3)
- 8 Tone-arm installation guide ruler assemble with template base and screws (template x2, M5 screws x2, M5 nuts x2)
- 9 Counter weight balance carrier (x1)
- 10 Counter weight (x2)
- 11 Installation manual (x1)

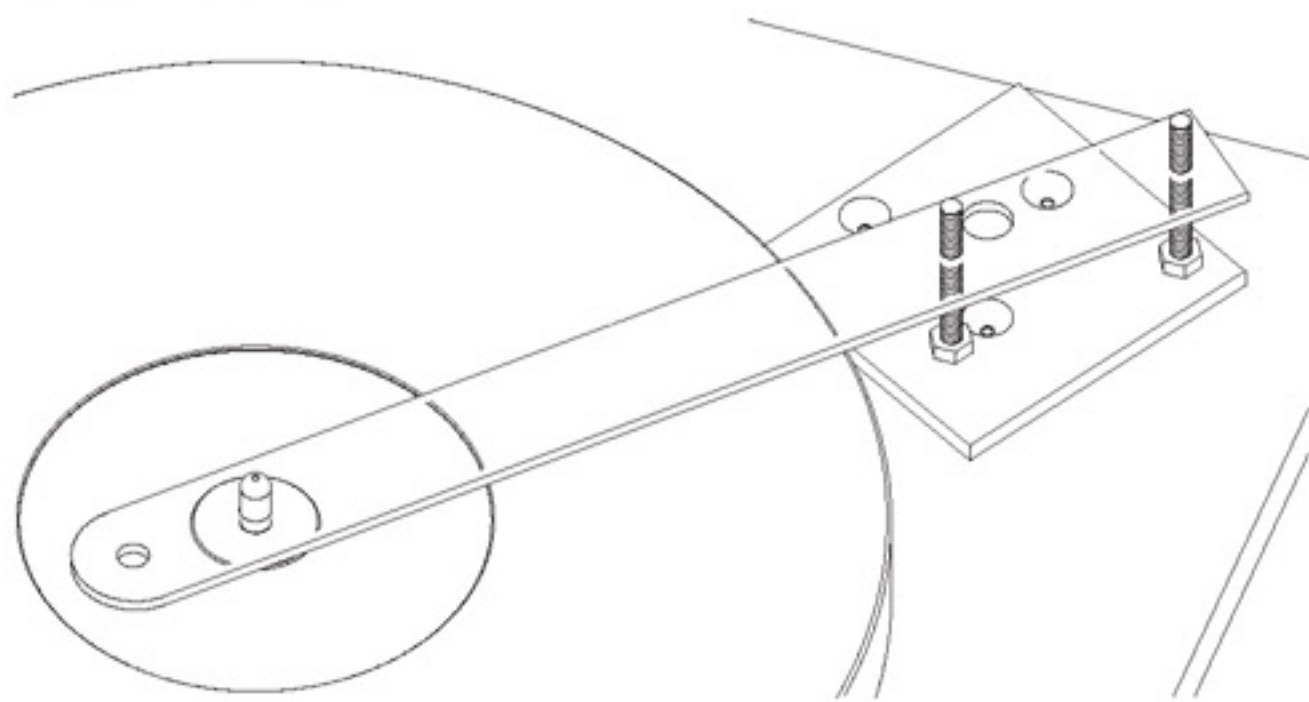


**Attention:** Please carefully check that all articles are supplied mentioned above.

# ST600 Installation steps

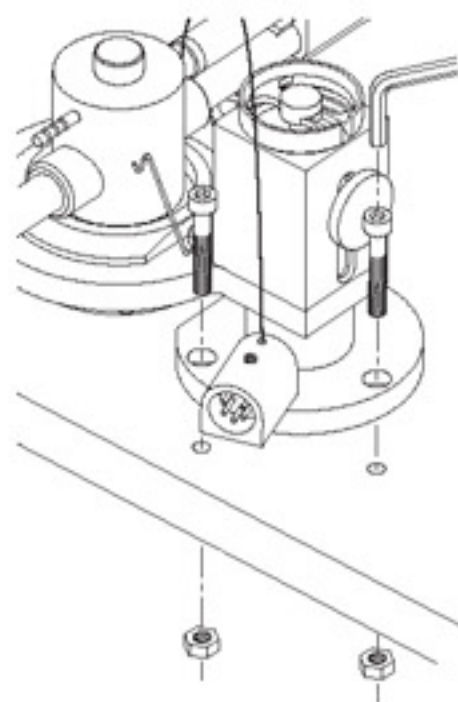
Before installation please remove and assemble the tone-arm installation guide ruler assemble with template base and screws and place it on the base as shown in the drawing below.

For example, to install the 10.5 inch tone-arm, take the tone-arm installation guide ruler assemble with template base and place it flat with the platter making sure the 10.5 inch hole is positioned properly on the top of the platter bearing. Then make sure the guide ruler and the template (which is positioned on the plinth) are totally parallel with each other. Next, mark the 3 installation holes on the plinth. Finally properly measure each marked point for a 4.5mm hole to be drilled on the plinth. Drill each hole completely thru the plinth and make sure they are straight thru. Now you are ready to install the tone-arm.



## Step 1

Place the bedplate properly over the 3 holes on the plinth, take the 3 M4 screws and install them thru the bedplate and plinth. Put the nuts on the ends and tighten securely using the M4 allen wrenches.

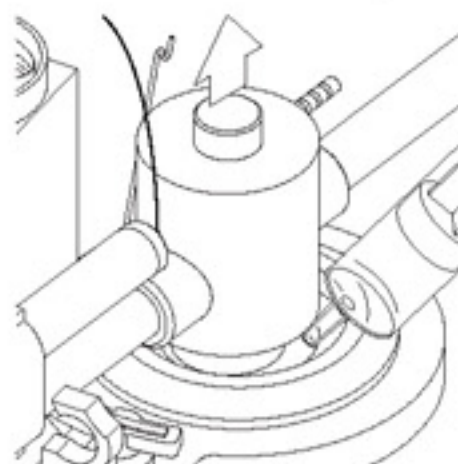


## Step 2

Slightly lift the tone-arm body and slowly inject the damping oil from the syringe under the edge of the gap making sure the reservoir is filled to the brim.

Note: when you lift and lower the tone-arm body be very careful to do it slowly or else (damage can result).

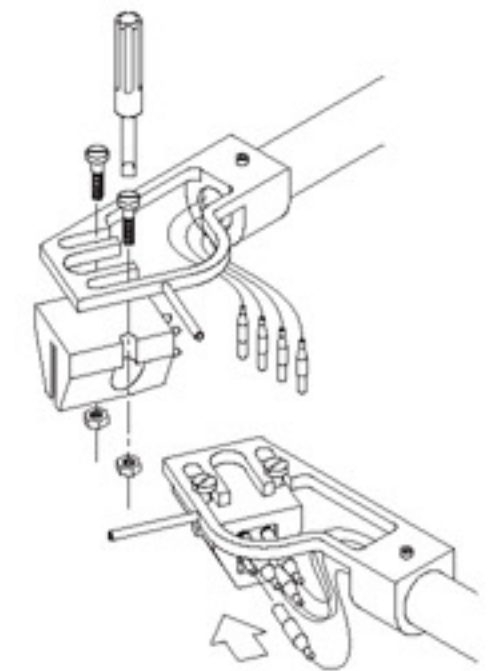
This procedure must be preformed carefully and accurately for the ST600 to work properly.



## Step 3

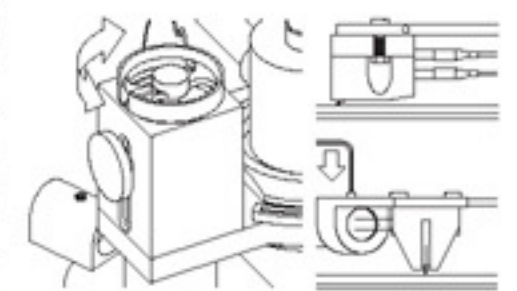
Take the cartridge installation screws and nuts (not included) and fix the cartridge to the head shell of tone-arm. Refer to the cartridge manufacturers instructions for proper installation. Plug the 4 colored terminals (red, green, white, blue) into the back of the cartridge making sure each color is matched.

Note: Do not use excessive force on the wires when making the connects or else damage/ breakage could result.



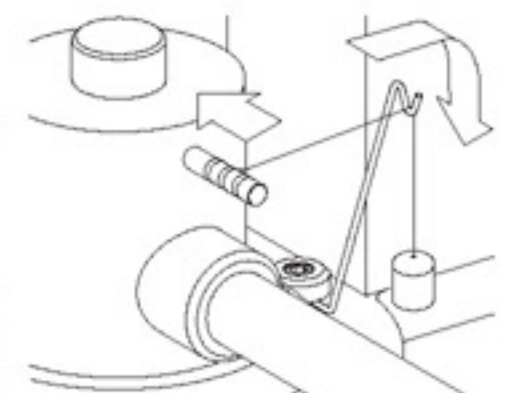
## Step 4

Loosen the screw at the side of the height adjustment mechanism and turn the height adjustment gauge on the top until the stylus makes contact with the record. Then retighten the side screw. Use the M2 Allen wrench to adjust the head shell of cartridge so that the cartridge and the record are 90 degree with each other.



## Step 5

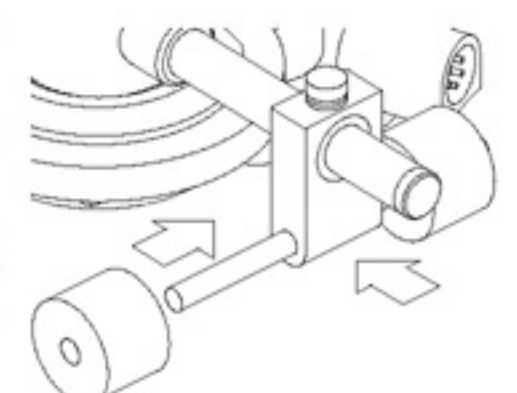
Take the anti-skating weight with line attached and place the loop over the anti-skating lever. Then hang the line freely over the anti-skating pivot. There are three grooves in the anti-skating lever. The inner groove is calibrated for 1 gram of anti-skating force. The middle groove is 1 grams and the outer groove is 2 grams. Please adjust the anti-skating force appropriately for your cartridge.



## Step 6

Take the tone-arm weight balance carrier and place on the back end of the tone-arm. Then put the two tracking weights on the side rods of the tone-arm weight balance carrier. Adjust the position of the tone-arm weight balance carrier according to the balance of the tone-arm body and the tracking force of the cartridge.

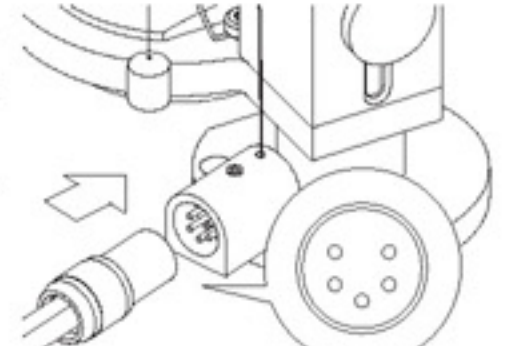
For specific tracking force and adjustment methods please refer to the cartridge manual.



## Step 7

Connect the 5 pin audio cable plug into the 5 pin socket at the back of the ST600, making sure the plug positions are correct.

Note: Don't force the plug excessively or else pin damage will result.



## Step 8

Connect the audio cable to your system.